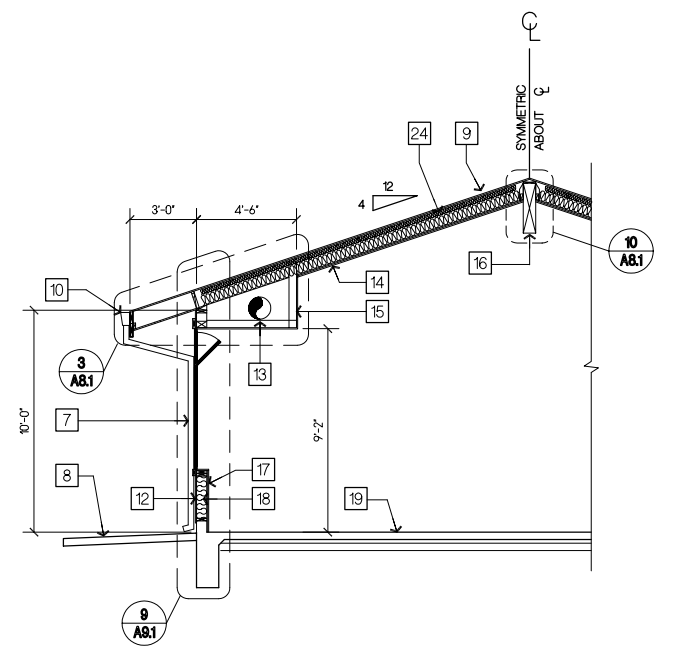
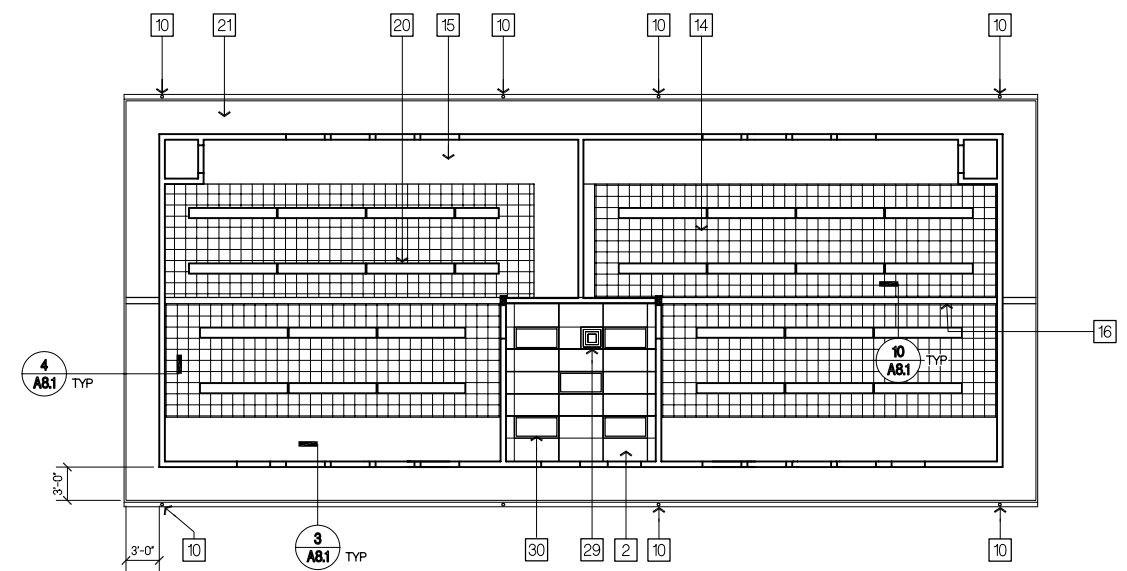


**FLOOR PLAN**  
SCALE 1/4" = 1'-0"



**A CLASSROOM SECTION**  
SCALE 1/4" = 1'-0"



**REFLECTED CEILING PLAN**  
SCALE 1/8" = 1'-0"

**KEY NOTES**

- 1 4' x 16' SURFACE MOUNTED MARKER BOARD
- 2 SUSPENDED CEILING, TYP. (SEE DET. 1/ A9.1)
- 3 FIRE EXTINGUISHER CABINET (SEE 2/A8.1)
- 4 LINE OF SOFFIT ABOVE, TYP.
- 5 CONCRETE APRON (SEE 1/A8.1)
- 6 BASE CABINET W/ SINK (SEE 7/A8.1)
- 7 3" DIA. RAINWATER LEADER TYP OF 8 (SEE 8/A8.1)
- 8 4" THICK CONCRETE WALK (SEE 2/A9.1)
- 9 CLASS A FIBERGLASS SHINGLES O/ 15# FELT O/ 5/8" PLY ROOF SHEATHING
- 10 7" CONTINUOUS GUTTER W/ DOWNSPOUTS TYP
- 11 V.C.T. FLOORING
- 12 5/8" T-1-11 SIDING OR STUCCO ( SPECS ) O/ VAPOR BARRIER PLYWOOD SHEAR PANEL TYP
- 13 HVAC DUCTWORK (SEE MECH)
- 14 12"x12" ACOUSTIC CEILING TILE O/ 5/8" GYPSUM BD.
- 15 SOFFIT FRAMING (SEE STRUCT.) & 3/ A8.1 & 4/A8.1
- 16 GLULAM BEAM
- 17 VINYL TACK BOARD O/ GYPBD.
- 18 R-19 BATT INSULATION
- 19 4" CONCRETE SLAB (SEE STRUCT.)
- 20 PENDANT MOUNTED LIGHT FIXTURE (SEE ELEC.)
- 21 5/8" T1-11 "NO GROOVE" SIDING SOFFIT
- 22 HVAC COMPRESSOR ON CONC. PAD
- 23 LINE OF OVERHANG ABOVE
- 24 BATT. INSULATION
- 25 COMPUTER WORK STATION W/ SUPPORTING CORBELS. (SEE 4/ A9.1)
- 26 TALL STORAGE CABINET
- 27 BASE CABINET
- 28 WALL HUNG CABINET
- 29 SUPPLY AIR GRILL (SEE MECH.)
- 30 24" x 48" RECESSED FLOURESCENT LIGHT FIXTURE (SEE ELEC)
- 31 T.V. MOUNTING BRACKET, (SEE 3/A9.1)

**LEGEND**

- 2 x 8 STUD WALL @ 16" OC
  - 2 x 6 STUD WALL @ 16" OC
- NOTE:  
1. TYPICAL WALL = 2 x 6 STUDS @ 16" OC W/ R-19 BATT INSULATION AT INTERIOR & EXTERIOR WALLS
- ② - DOOR DESIGNATION (SEE A11)
  - ⊕ - WINDOW DESIGNATION (SEE A11)
  - (A) - ROOM IDENTIFICATION SIGN. (SEE A11)

**APPROVALS**

IDENTIFICATION STAMP  
DIV. OF THE STATE ARCHITECT  
OFFICE OF REGULATION SERVICES

APPL

KL RS SS  
DME

Copyright © 2001

All fees, design, arrangements and plans indicated or represented by this drawing are owned by and the property of NICHOLS, MELBURG and ROSSETTO and were created, studied and developed for use on, and in conjunction with, the specified project. None of such design, arrangements or plans shall be used by, or disclosed to any person, firm or corporation for any purpose whatsoever without the written permission of NICHOLS, MELBURG and ROSSETTO.

**ARCHITECTURE**

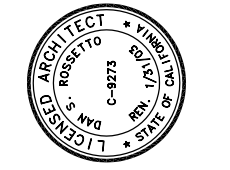
**NM & R**

**NICHOLS MELBURG ROSSETTO**

300 KNOLLCREST DRIVE  
REDDING, CALIFORNIA 96002  
(530) 222-3300  
FAX (530) 222-3538  
http://www.nmrdesign.com

**CONSULTANTS**

**LICENSE STAMPS**



**PROJECT NAME**  
A PROPOSED  
CLASSROOM BUILDING  
FOR  
P.C.  
APPROVAL

**SHEET TITLE**  
FLOOR PLAN  
SECTION  
REFLECTED CEILING

**DRAWING STATUS**  
PC APPROVAL SET  
NOT FOR CONSTRUCTION  
WITHOUT JOB SPECIFIC APP. NO.

**REVISIONS**

Sym.	Description	By	Date

Drawn By	K. TEDDER
Checked By	KT,DF
Date Drawn	11/08/02
Scale	AS NOTED
Job No.	2011-01

SHEET No.

**A2.1**